

## PARTS LIST INDEX

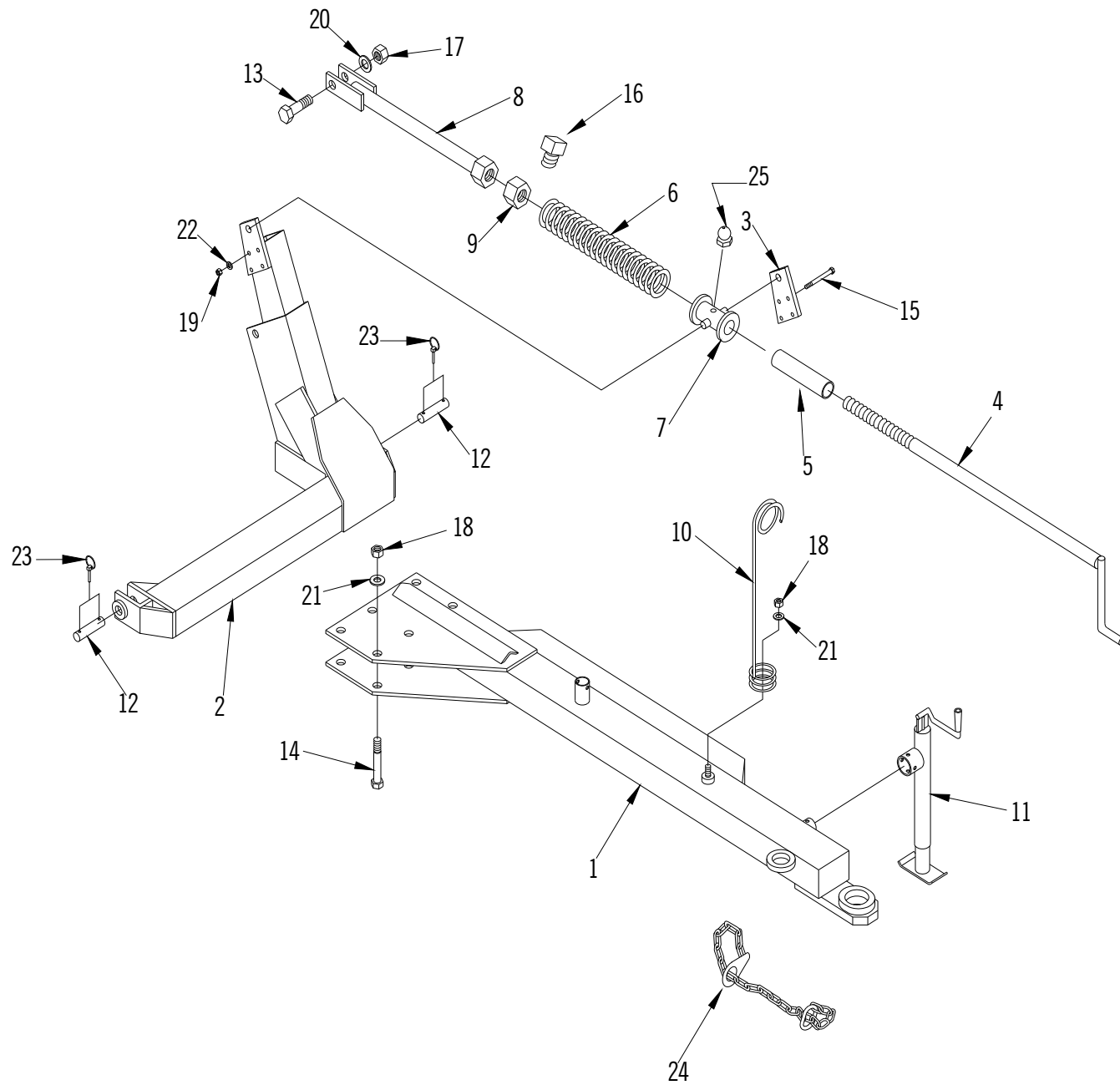
PAINT and DECALS	Page 38
MAIN FRAME ASSEMBLY	Page 36
HITCH and CRANK ASSEMBLY	Page 37
ROCKSHAFT and WHEEL - Clamp on Spindle Type - (used 2003 and prior)	Page 39
ROCKSHAFT and WHEEL - Bolt in Spindle Type - (used after 2003)	Page 40
GANG BEAM ASSEMBLY	Page 41
DISC GANG ASSEMBLY	Page 43
HYDRAULIC SYSTEM	Page 44
SCRAPER ASSEMBLY	Page 45
ROCKSHAFT CYLINDER - N4 TYPE	Page 46
CYLINDER SEAL KIT	Page 47

## PAINT and DECALS

PART NO.	DESCRIPTION	QTY. REQ'D
L001	Ezee-On Yellow Paint - 1 qt. can	*
L002	Ezee-On Yellow Paint - 1/2 pt. can	*
L015	Black Paint - 1 qt. can	*
L016	Black Paint - 1/2 pt. can	*
DF13002	Ezee-On Decal - 2-1/2" x 15" (63.5mm x 381mm)	2
DF12265	Model 8550 Decal	2
DF9510	Large Caution Decal	1
DF10050	Red Reflector	4
DF10050	Yellow Reflector	4

### MODEL 8550 MAIN FRAME PARTS LIST

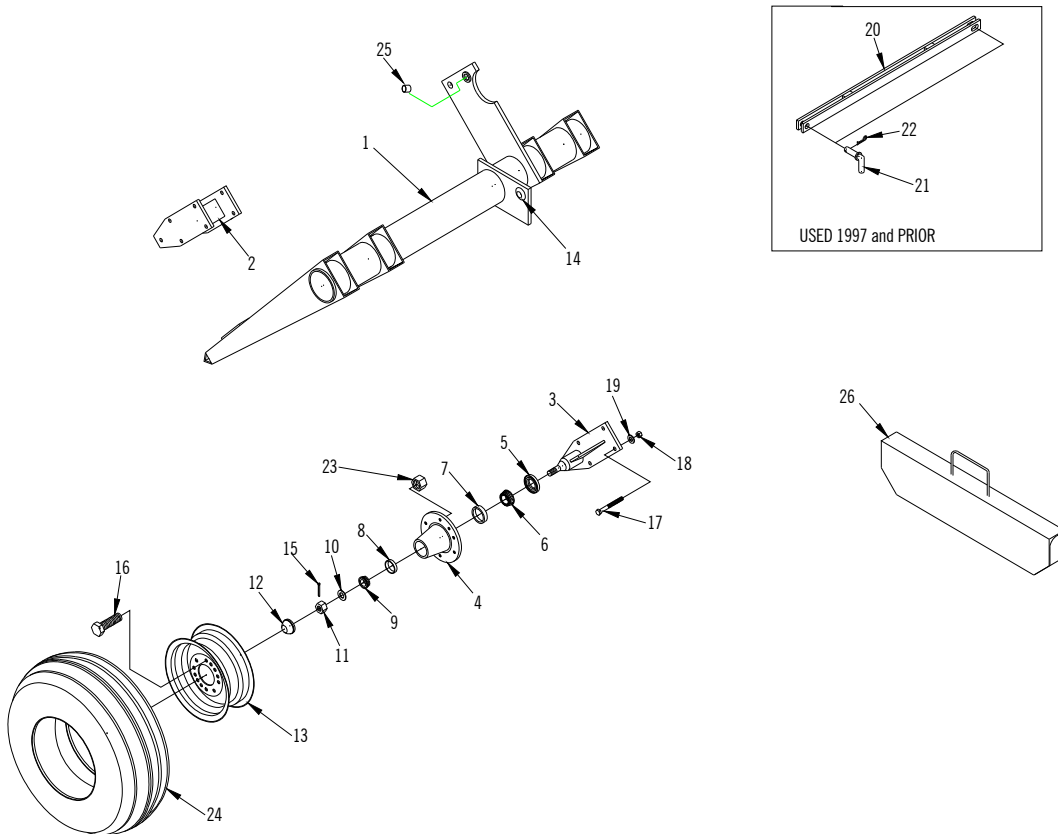
REF. NO.	PART NO.	DESCRIPTION	QTY. REQ'D
1	DFA12271	Main Frame	1
2	DC9615	11" (279mm) Long Compression Spring	1
3	DFA10536	Single Spring Cushion Plate	1
4	DFA5041	Rockshaft Bearing Cap	2
5	DR5259	Rockshaft Bearing Liner Half	4
6	DF5063	Rockshaft Bearing Cap Shim	12
7	DR5260	1/4" (6.35mm) x 28 - 45 Degree Grease Fitting	2
8	10GN1	1/4" (6.35mm) x 28 - Straight Grease Fitting	2
9	B100140	1" x 14" N.C. (25.4mm x 356mm) Hex. Bolt	1
10	B075025	3/4" x 2-1/2" N.C. (19.0mm x 63.5mm) Hex. Bolt	4
11	BN100	1" N.C. (25.4mm) Hex. Nut	2
12	BN075	3/4" N.C. (19.0mm) Hex. Nut	4
13	BW075L	3/4" (19.0mm) Lockwasher	4



### HITCH and CRANK ASSEMBLY

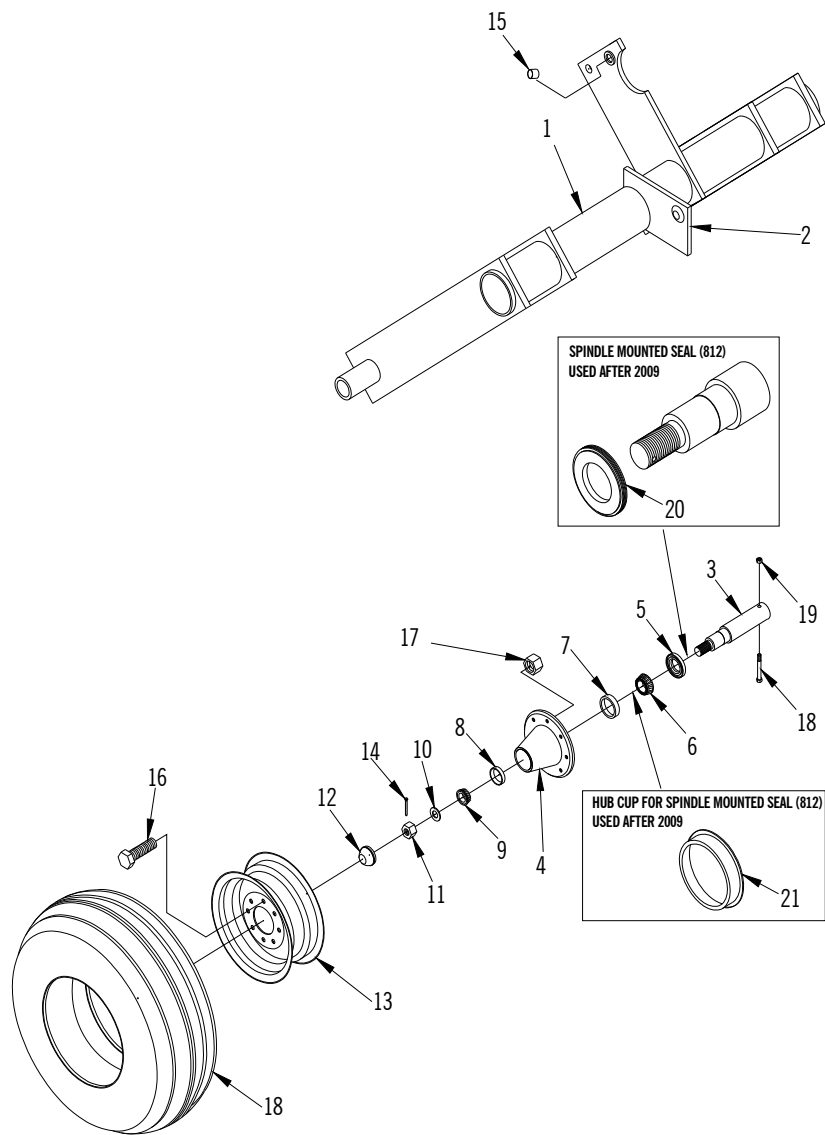
**MODEL 8550 HITCH and CRANK ASSEMBLY PARTS LIST**

REF. NO.	PART NO.	DESCRIPTION	QTY. REQ'D
1	DHA12015	Hitch Tongue Assembly	1
2	DHA12016	Hitch Draw Bar - (used on S/N 51789 and prior)	1
	DHA12321	Hitch Draw Bar - (used on S/N after 51789 )	1
3	DH5146	Levelling Arm Lug	1
4	DCA9970	Crank - 50" Long (1270mm)	1
5	DC13098	Spacer Tube - 11" (279mm) Lg	1
6	DC9618	22" (559mm) Spring	1
7	DCA12310	Bearing Tube - Levelling Crank	1
8	DCA8577	Levelling Link - 21" (533mm)	1
9	DH5	2" N.C. (50.8mm) Heavy Hex. Nut - Drilled for Set Screw	1
10	DHA5161	Hose Support	1
11	DHB5170	Hitch Jack	1
12	DH12299	1-1/4" Dia. x 6" (31.7 x 152mm) Pin	1
13	DR5215	1-1/4" x 4-3/4" (31.7 x 121mm) Hex. Bolt (Special)	1
14	B100065	1" x 6-1/2" N.C. (25.4 x 165mm) Hex. Bolt	6
15	B050050	1/2" x 5" N.C. (12.7 x 127mm) Hex. Bolt	4
16	B050010S	1/2" x 1" N.C. (12.7 x 25.4mm) Square Head Set Screw	1
17	BN125	1-1/4" N.C. (31.7mm) Hex. Nut	1
18	BN100SL	1" N.C. (25.4mm) Hex. Steel Lock Nut	6
19	BN050	1/2" N.C. (12.7mm) Hex. Nut	4
20	BW125L	1-1/4" (31.7mm) Lockwasher	1
21	L2264	2" O.D. x 1-1/32 x 1/2" I.D. (50.8 x 26.2 x 12.7mm) Washer	6
22	BW050L	1/2" (12.7mm) Lockwasher	4
23	DH12517	7/16" x 1-7/16" (11.1 x 36.5mm) Lynch Pin	2
24	D13090	Safety Chain 20200 lbs (9165kg) (Option)	1
25	10GN1	1/4" - 28 Grease Fitting	1



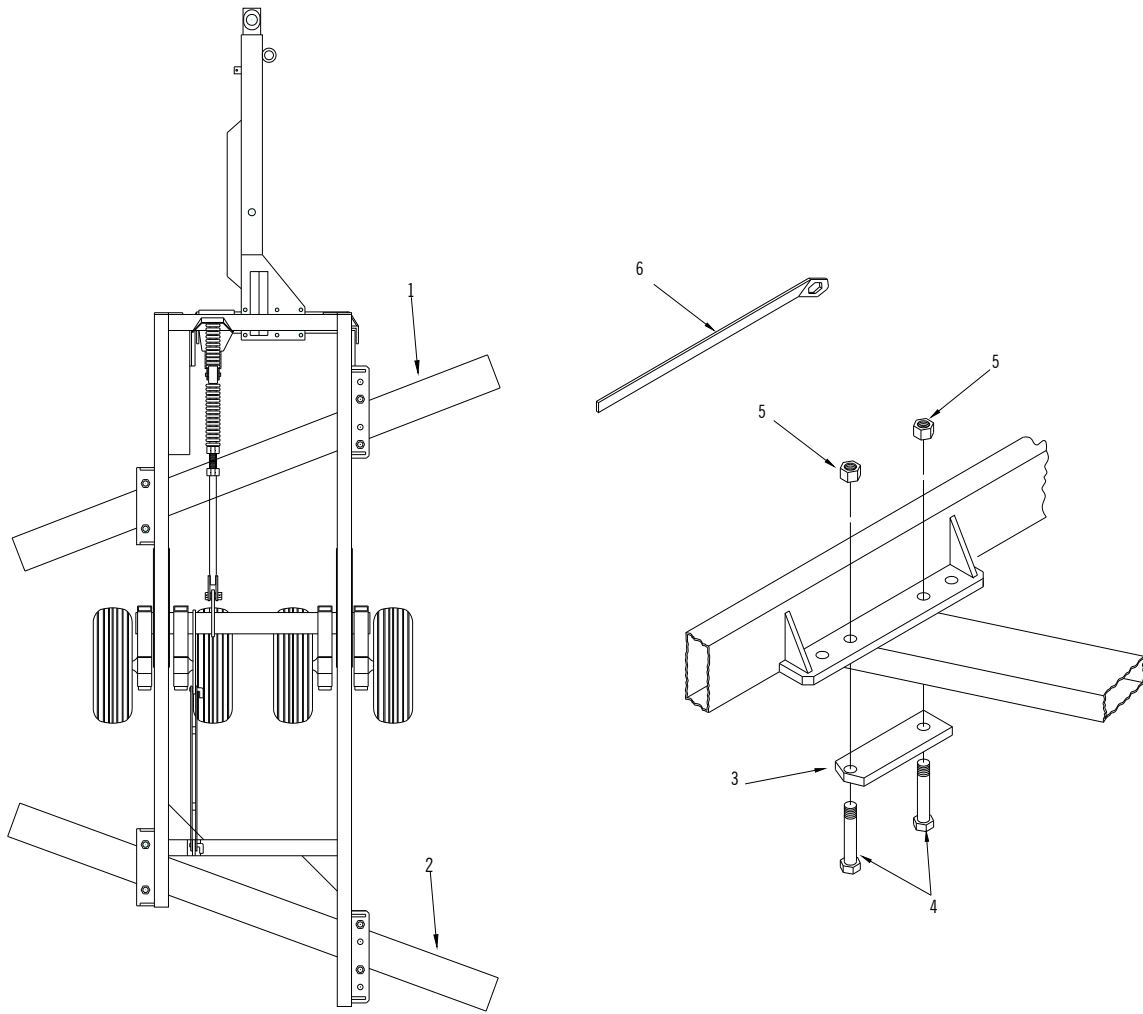
**MODEL 8550 ROCKSHAFT and WHEEL ASSEMBLY PARTS LIST - Clamp-on Spindle Type**  
(used 2003 and prior)

REF. NO.	PART NO.	DESCRIPTION	QTY. REQ'D
1	DRA12035	Rockshaft	1
2	DRA9645	Wheel Leg Spacer - 7-1/2" (190mm) Long	2
3	DRA5571	Spindle - 812 - 5 Bolt Type	4
4	DRA9679	812 Hub - c/w cups	4
5	DR9680	Grease Seal - #SE17	4
6	DR9684	Inner Cone Bearing - 3780	4
7	DR9682	Inner Cup - 3720	4
8	DR9683	Outer Cup - 2720	4
9	DR9685	Outer Cone Bearing - 2790	4
10	BW20010318F	2" O.D. x 1-1/37" I.D. x .187" (50.8mm x 26.2mm x 4.75mm) Flatwasher	4
11	DR110	1" N.F. (25.4mm) Hex. Slotted Nut	4
12	DR9681	Hub Cap	4
13	S81509	15" x 10" (381mm x 254mm) 8 Hole rim	4
14	DR5227	1-1/4" (31.7mm) Ball Joint (Weld-on)	1
15	BP15125	5/32" x 1-1/4" (3.8mm x 31.7mm) Cotter Pin	4
16	DR9671	9/16" x 1-11/16" N.F. (14.2mm x 42.6mm) Wheel Stud	32
17	B062060	5/8" x 6" N.C. (15.7mm x 152mm) Hex. Bolt	20
18	BN062	5/8" N.C. (15.7mm) Hex. Nut	20
19	BN062L	5/8" (15.7mm) Lockwasher	20
20	DRA12036	Lock-up Strap - (used 1997 and prior)	1
21	DRA5248	Lock-up Pin - (used 1997 and prior)	2
22	DW25	Hair Pin - (used 1997 and prior)	2
23	DR9670	9/16" N.F. (14.2mm) Hex. Nut	32
24	125L15F	12.5L x 15 Fl L/R AF≅	4
25	DR13120	1/4" x 1-1/4" (31.8 x 31.8mm) Long Steel Insert	1
26	DRA12037	Transport Lockup Bracket	1



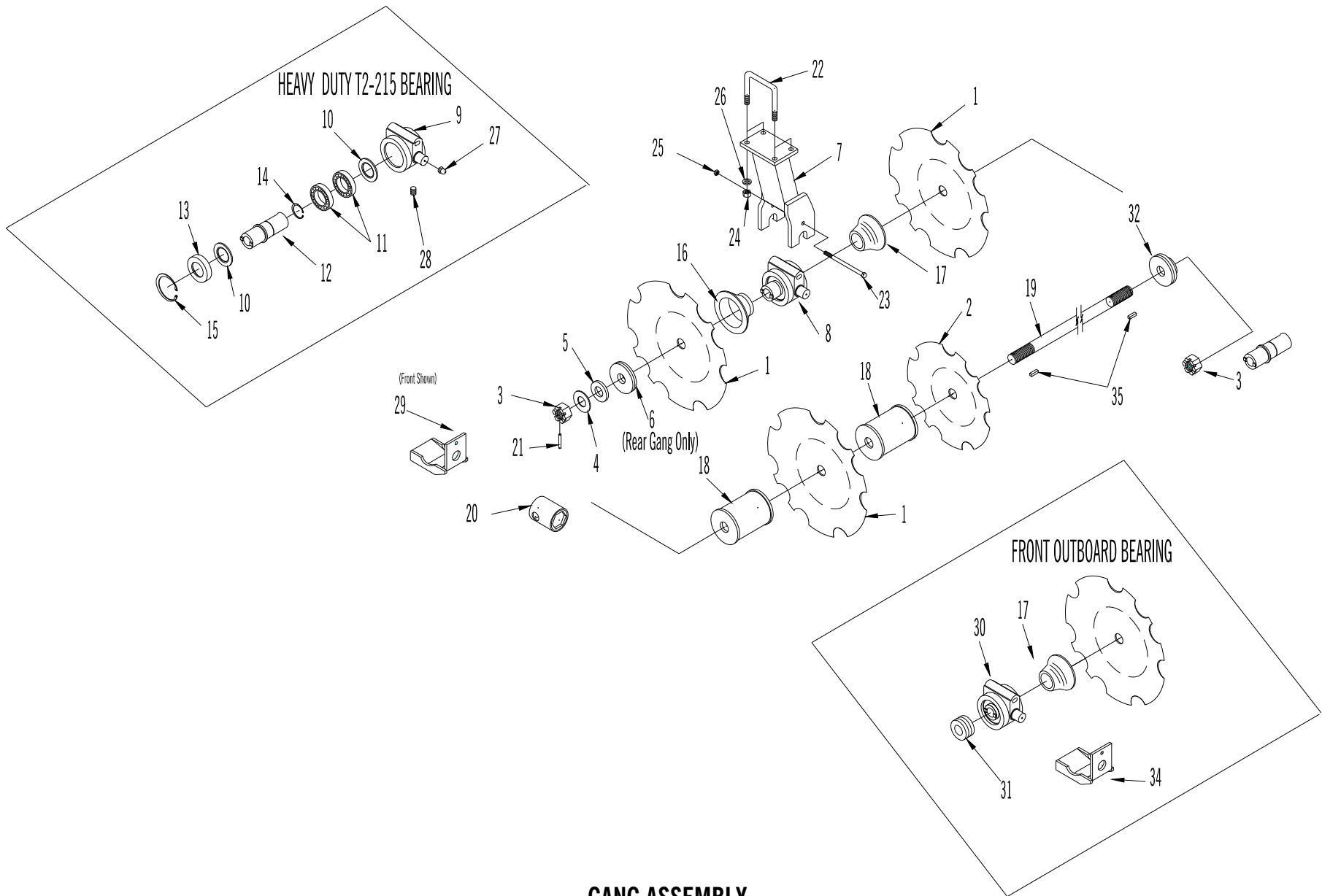
**MODEL 8550 ROCKSHAFT and WHEEL ASSEMBLY PARTS LIST - Bolt-in Spindle Type**  
(used after 2003)

REF. NO.	PART NO.	DESCRIPTION	QTY. REQ'D
1	DRA12269	Rockshaft	1
2	DR5227	1-1/4" (31.7mm) Ball Joint – Weld-On	1
3	DR13004	Spindle - 812 - 13-3/4" (348mm)	4
4	DRA9679	812 Hub - c/w Cups	4
5	DR9680	Grease Seal - #SE17 (Used Prior To 2009)	4
6	DR9684	Inner Cone Bearing - 3780	4
7	DR9682	Inner Cup - 3720	4
8	DR9683	Outer Cup - 2720	4
9	DR9685	Outer Cone Bearing - 2790	4
10	BW20010318F	2" O.D. x 1-1/32" I.D. x .187" (50.8mm x 26.1mm x 4.75mm) Flatwasher	4
11	DR110	1" N.F. (25.4mm) Hex. Slotted Nut	4
12	DR9681	Hub Cap	4
13	S81509	15" x 10" (381 x 254mm) 8 Hole Rim	4
14	BP15125	5/32" x 1-1/4" (3.8 x 31.7mm) Cotter Pin	4
15	DR13120	1-1/4" x 1-1/4" (31.7 x 31.7mm) Long Steel Insert	1
16	DR9671	9/16" x 1-11/16" N.F. (14.2 x 42.6mm) Wheel Stud	32
17	DR9670	9/16" N.F.(14.2mm) Hex Nut	32
18	B050040	1/2" x 4" N.C. (12.7 x 101.6mm) Hex Bolt	4
19	BN050L	1/2" N.C. (12.7mm) Hex Nylon Lock Nut	4
20	DR13200	Seal – Spindle Mount Type (Used 2009 and Later)	4
21	DR13201	Seal Cup – Spindle Mount Type (Used 2009 and Later)	4



**MODEL 8550 DISC  
GANG BEAM PARTS LIST**

REF. NO.	PART NO.	DESCRIPTION	QTY. REQ'D
1		<b>Front Gang Beam</b> - 14" (356mm) spacing - (10" x 4" x 1/2" tube)	
	DBS 121-10	122" (3099mm) Beam - 17 Blade Disc	1
	DBS 136-10	136" (3454mm) Beam - 19 Blade Disc	1
	DBS 150-10	150" (3810mm) Beam - 21 Blade Disc	1
	DBS 165-10	165" (4191mm) Beam - 23 Blade Disc	1
	DBS 179-10	179" (4547mm) Beam - 25 Blade Disc	1
	DBS 194-10	194" (4928mm) Beam - 27 Blade Disc	1
2		<b>Rear Gang Beam</b> - 14" (356mm) spacing - (10" x 4" x 1/2" tube)	
	DBS 136-10	136" (3454mm) Beam - 17 Blade Disc	1
	DBS 150-10	150" (3810mm) Beam - 19 Blade Disc	1
	DBS 165-10	165" (4191mm) Beam - 21 Blade Disc	1
	DBS 179-10	179" (4547mm) Beam - 23 Blade Disc	1
	DBS 194-10	194" (4928mm) Beam - 25 Blade Disc	1
3	DG12251	Gang Beam Clamp - 2 Hole	4
4	DG12254	1-1/2" x 8-1/2" N.C. (38.1mm x 216mm) Gr. 5 Hex. Bolt	8
5	BN150	1-1/2" N.C. (38.1mm) Hex. Nut	8
6	DGA12260	Wrench for 1-1/2" (38.1mm) Bolts	2

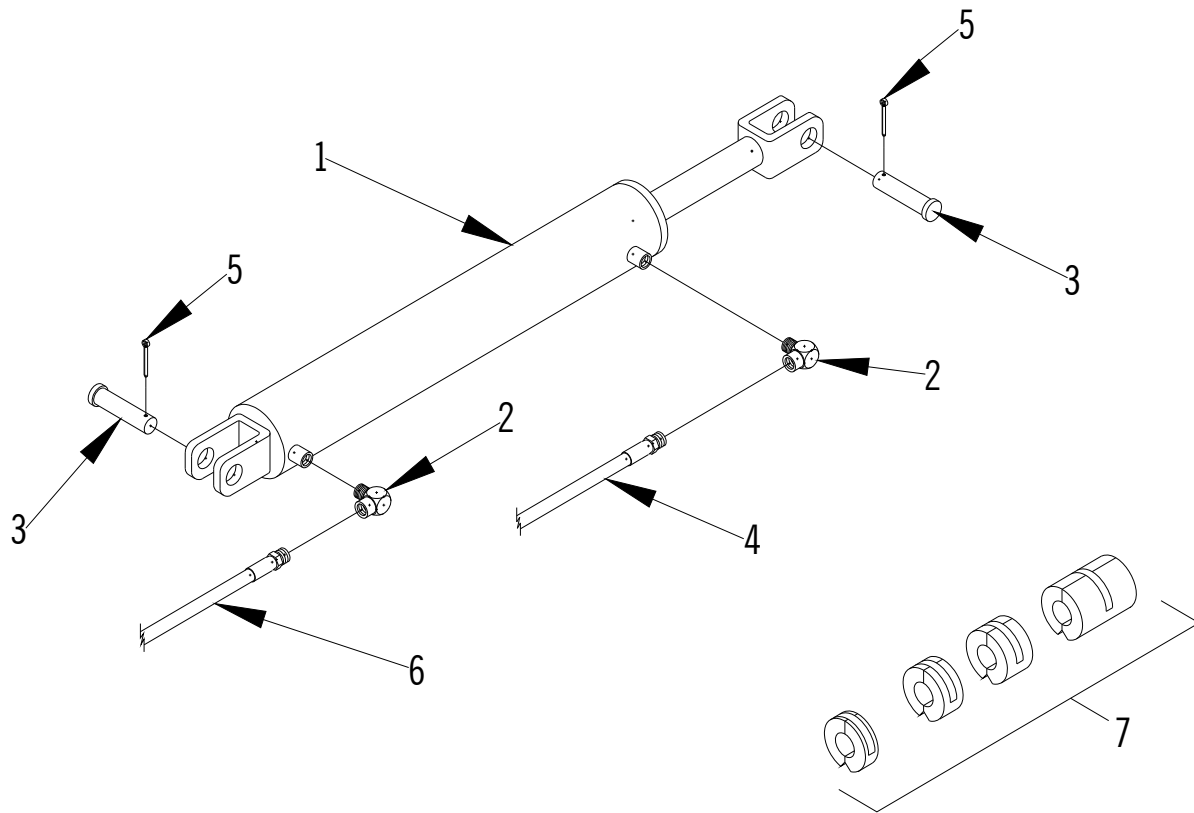


## GANG ASSEMBLY

## MODEL 8550 DISC GANG ASSEMBLY

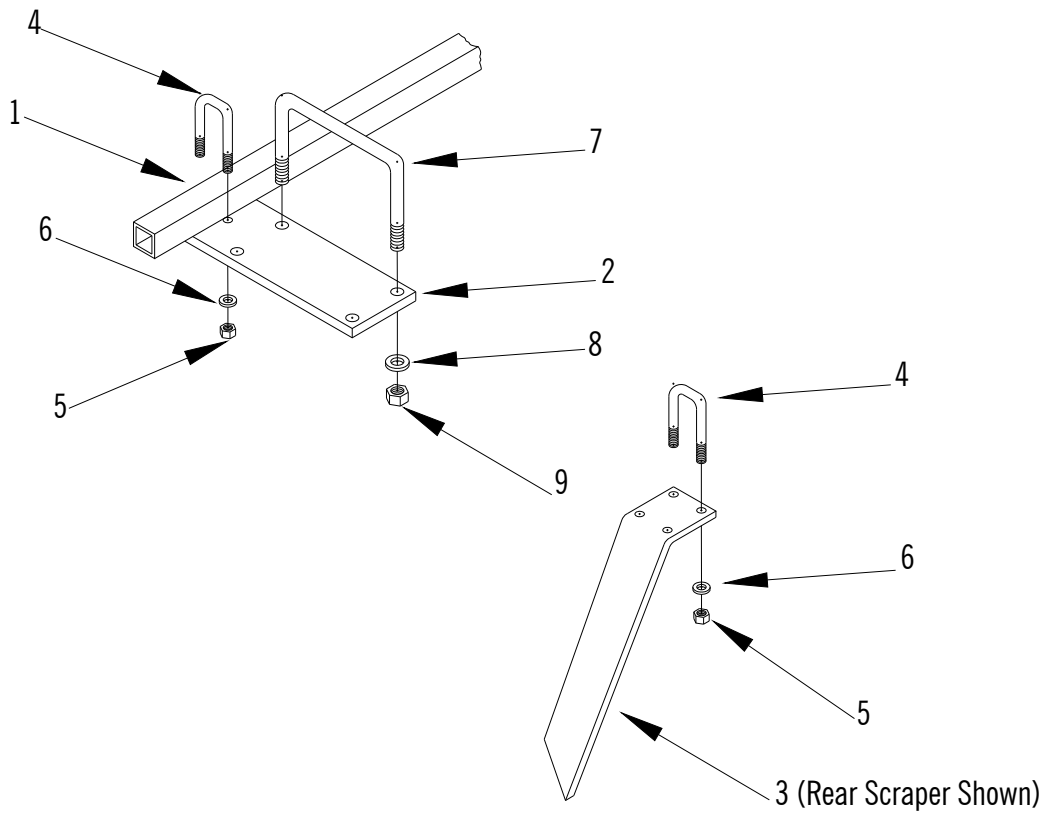
REF. NO.	PART NO.	DESCRIPTION	QTY. REQ'D
1	DG20118	32" x 12.7 mm (1/2") Notched Disc blade	*
2	DG20051	28" x 10 mm (.393") Notched Disc Blade - Rear Outrigger	*
3	DG12252	2" N.C. (50.8mm) Heavy Hex. Slotted Nut (Heat Treated)	4
4	DG89	1/4" (6.35mm) Shim Washer	*
5	DG88	1/2" (12.7mm) Shim Washer	*
6	DGA12257	Head Washer - Rear Gang - 7" OD x 2" long (178mm x 50.8mm) c/w key way - machined	*
7	DGA12261	Std. Trunion Mounted Bearing Hanger	*
8	DGB9940	T2-215 Housing c/w Bearings, Seals, 9" (229mm) Steel Sleeve, Snap Rings and Cap - Less 1/2 Spools	*
9	DG9901	T2-215 Bearing Housing	*
10	DG9905	215 Bearing Seal- (National #200322)	*
11	DG9904	#6215 Ball Bearing Notched for Lubrication	*
12	DG9922	9" (229mm) Steel Sleeve w/drive lugs	*
	DG9924	7-1/2" (191mm) Steel Sleeve w/drive lugs (Outboard Bearing only)	*
13	DG9902	Bearing Housing Cap	*
14	DG9911	External Snap Ring (Philip French #D1400-75)	*
15	DG9910	Internal Snap Ring (Philip French #D1300-130)	*
16	DG9913	Short Half Spool - 8-1/2" (216mm) O.D. (press-on type) - 14" (356mm) spacing	*
17	DG9914	Long Half Spool - 7" (178mm) O.D. (press-on type) - 14" (356mm) spacing	*
18	DGA10560	14" (356mm) Spacing Full Spool - 8-1/2" (216mm) dia. washer one end	*
19		GANG BOLTS - 14" SPACING	
	DGA206	5 BLADE - w/outrigger brg. - 77-5/8" (1972mm) long	*
	DGA207	6 BLADE - 81-3/4" (2076mm) long	*
	DGA208	7 BLADE - 96-3/8" (2448mm) long	*
	DGA213	8 BLADE - 111" (2819mm) long	*
	DGA209	9 BLADE - w/outrigger brg. - 136-5/8" (3470mm) long	*
	DGA167	10 BLADE - 140-1/4" (3562mm) long	*
	DGA187	10 BLADE - w/outrigger brg. - 149-5/8" (3800mm) long	*
	DGA188	11 BLADE - 154" (3912mm) long	*
20	DGA35	Socket Wrench	1
21	DG10310	7/16" x 3" (10.9mm x 76.2mm) Lock Pin	4
22	DG12250	7/8" x 10" (22.0mm x 254mm) U-Bolt	*
23	B062100	5/8" x 10" N.C. (15.7mm x 254mm) Hex Bolt - used by machines Less bearing guards	*
	B062110	5/8" x 11 N.C. (15.7mm x 279mm) Hex Bolt - used by machines With bearing guards	*
24	BN087	7/8" N.C. (22.0mm) Hex Nut	*
25	BN062L	5/8" N.C. (15.7mm) Hex Nylon Lock Nut	*
26	BW087L	7/8" (22.0mm) Lockwasher	*
27	10GN1	1/4" x 28 (6.35mm) Grease Fitting	*
28	DG9912	Set Screw	*
29	DGA12051	Bearing Guard - Front Gang	*
	DGA12052	Bearing Guard - Rear Gang	*
30	DGB9937	T2-215 Housing c/w bearings, seals, 7-1/2" (191mm) Steel sleeve, snap ring and cap - Outboard Bearing	*
31	DGA10588	4" O.D. x 1-3/4" (101.6mm x 44.4mm) Long End Plate w/keyway and drive slots - Front Gang Outboard Bearing	1
32	DGA10589	8-1/2" O.D. x 2-1/8" (216mm x 53.8mm) Long End Plate w/keyway	4
33	DG10597	1/2" sq. X 1-3/4" (12.7mm x 44.4mm) key	4
34	DGA12053	Bearing Guard - for Outboard Bearing	1
35	DG12268	1/2" sq. x 1" (12.7mm x 25.4mm) key	*

\* as required



### HYDRAULIC SYSTEM

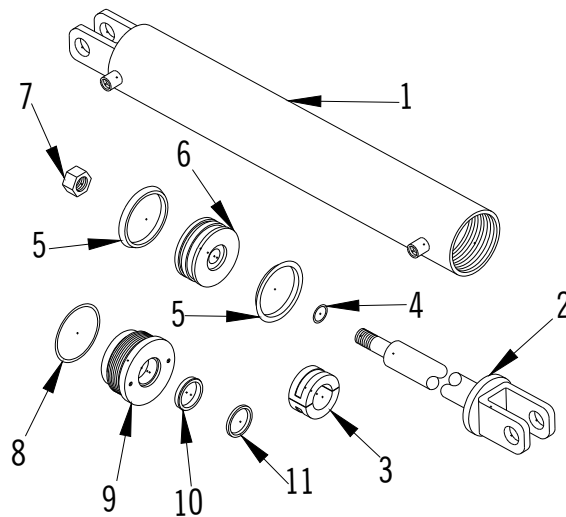
REF. NO.	PARTS NO.	DESCRIPTION	QTY. REQ'D
1	241	4" x 24" (101.6mm x 609.6mm) Rockshaft Cylinder	1
2	DL9777	1/2" (12.7mm) Street Elbow (Steel)	2
3	DR5252	Clevis Pin - 1-1/4" x 4-3/16" (31.7mm x 106.4mm)	2
4	DL2966	1/2" x 216" (12.7mm x 5486mm) Hose	1
5	BP25150	1/4" x 1-1/2" (6.35mm x 38.1mm) Cotter Pin	2
6	DL2963	1/2" x 190" (12.7mm x 4826mm) Hose	1
7	C50716	WHOA Stop Depth Control Package 8-3/4 (222mm)	2



### SCRAPER ASSEMBLY

REF. NO.	PARTS NO.	DESCRIPTION	QTY. REQ'D
1	DS121-2-4	SCRAPER BARS for 14" (356mm) SPACING - Front Gang	*
	DS136-2-4	8 Blade - 121" (3073mm) Long	*
	DS150-2-4	9 Blade - 136" (3454mm) Long	*
	DS165-2-4	10 Blade - 150" (3810mm) Long	*
	DS179-2-4	11 Blade - 165" (4191mm) Long	*
	DS179-2-4	12 Blade - 179" (4547mm) Long	*
	DS136-2-4	SCRAPER BARS for 14" (356mm) SPACING - Rear Gang	*
	DS150-2-4	9 Blade - 136" (3454mm) Long	*
	DS165-2-4	10 Blade - 150" (3810mm) Long	*
	DS179-2-4	11 Blade - 165" (4191mm) Long	*
	DS179-2-4	12 Blade - 179" (4547mm) Long	*
	DS194-2-4	13 Blade - 194" (4928mm) Long	*
2	DG12253	Scraper Bar Support - 18" (457mm) Long	*
3	DGA12255	Scraper - 3/4" x 4" - (19.0mm x 102mm) Front Gang	*
	DGA12256	Scraper - 3/4" x 4" - (19.0mm x 102mm) Rear Gang	*
4	DG5309	5/8" x 2" (15.7mm x 50.8) U-bolt	*
5	BN062	5/8" (15.7mm) Hex. nut	*
6	BW062L	5/8" (15.7mm) Lockwasher	*
7	DG12250	7/8" x 10" (22.0mm x 254mm) U-bolt	*
8	BW087L	7/8" (22.0mm) Lockwasher	*
9	BN087	7/8" (22.0mm) N.C. Hex. nut	*

\* as required



**MODEL 8550  
ROCKSHAFT CYLINDER PART LIST  
N4 TYPE**

REF. NO.	PART NO.	DESCRIPTION	QTY. REQ'D
1	40TU9	Tube assembly - 4" x 24" (102mm x 610mm)	1
2	10SH46	Shaft - 1-3/4" x 24" (44.4mm x 610mm)	1
3	C50711	Depth control stop ring - 1" (25.4mm) long	2
	C50712	Depth control stop ring - 1-1/2" (38.1mm) long	2
	C50713	Depth control stop ring - 1-3/4" (44.4mm) long	2
	C50717	Depth control stop ring - 4-1/4" (108mm) long	2
4	100R13	1/8" x 1-1/4" O.D. (3.0mm x 31.7mm) O'ring	1
5	40CU3	3-1/2" x 4" x 3/8" (88.9mm x 102mm x 9.4mm) U-cup	2
6	40PB5	4" O.D. x 2-1/2" (102mm x 63.5mm) long piston	1
7	10NU4	1" (25.4mm) lock nut	1
8	100R17	3/16" x 4" O.D. (4.6mm x 102mm) O'ring	1
9	40HP7	4" O.D. x 1-3/4" I.D. (102mm x 44.4mm) head plate	1
10	10RS3	1-3/4" x 2-1/8" x 3/8" (44.4mm x 53.8mm x 9.4mm) rod seal	1
11	10WS3	1-3/4" x 2-1/8" x 3/16" (44.4mm x 53.8mm x 4.6mm) wiper seal	1

## CYLINDER SEAL KIT

KIT NO.	CONTENTS	APPLICATION
4017N4	2 40CU3 1 100R13 1/8" x 1-1/4" O.D. (3.0mm x 31.7mm) O'ring 1 100R17 3/16" x 4" (4.6mm x 102mm) O.D. O'ring 1 10RS3 Rod seal 1-3/4" (44.4mm) I.D. 1 10WS3 Wiper seal 1-3/4" (44.4mm) I.D. 1 100R19 1-1/8" I.D. x 1-1/4" O.D. (28.4mm x 31.7mm) O-Ring	4" x 24" (102mm x 610mm) Rockshaft Cylinder